



WATERWAYS INFORMATION BULLETIN

General Information

The Coast Guard will establish a safety zone on a portion of Lake Michigan in Chicago, Illinois, in order to protect vessels and persons from the potential hazards associated with a barge based fireworks display. The safety zone will encompass all waters of Lake Michigan within Chicago Harbor bounded by coordinates beginning at 41°53'23.3" N, 087°36'04.5" W; then south to 41°53'11.8" N, 087°36'04.1" W; then east to 41°53'12.1" N, 087°35'40.5" W; then north to 41°53'23.6" N, 087°35'40.07" W; then west back to the point of origin (Diagram B). The safety zone will be effective from 8:45 p.m. through 9:30 p.m. on March 26, 2022. Vessels will not be allowed to enter, transit through, moor, lay-up, or anchor within this safety zone without permission from the Coast Guard Captain of the Port Lake Michigan or an on-scene designated representative.

Contact Information

The Coast Guard Captain of the Port Lake Michigan may be reached by contacting the Coast Guard Sector Lake Michigan Command Center at (414)747-7182. An on-scene designated representative may be reached via VHF-FM Channel 16.

Civil and Criminal Penalties

Pursuant to 46 U.S.C. § 70036(a) and 33 C.F.R. § 27.3, any person who operates a vessel in this safety zone without permission from the Coast Guard Captain of the Port or a designated representative is subject to a civil penalty of up to \$103,050. Moreover, any person who willfully and knowingly operates a vessel in this safety zone without permission from the Coast Guard Captain of the Port or a designated representative is a Class D felony and is subject to prosecution in federal court. Each day of a continuing violation constitutes a separate violation.

Diagram A

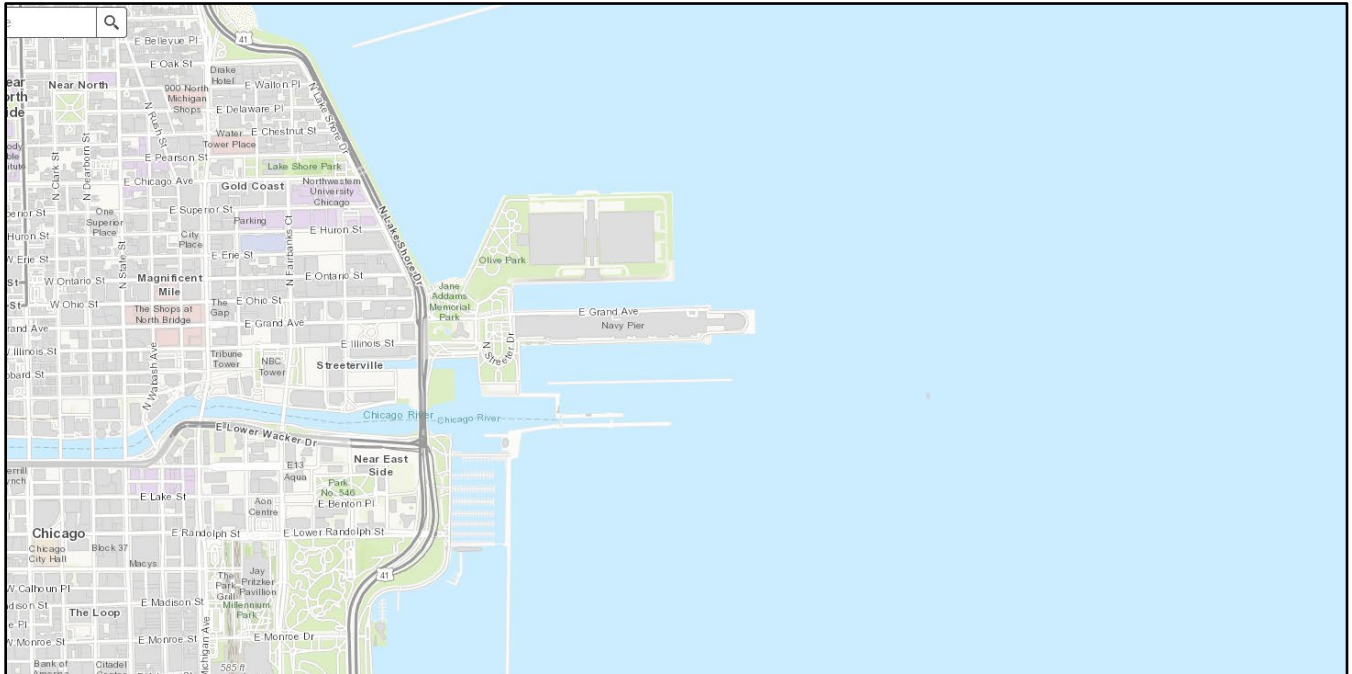
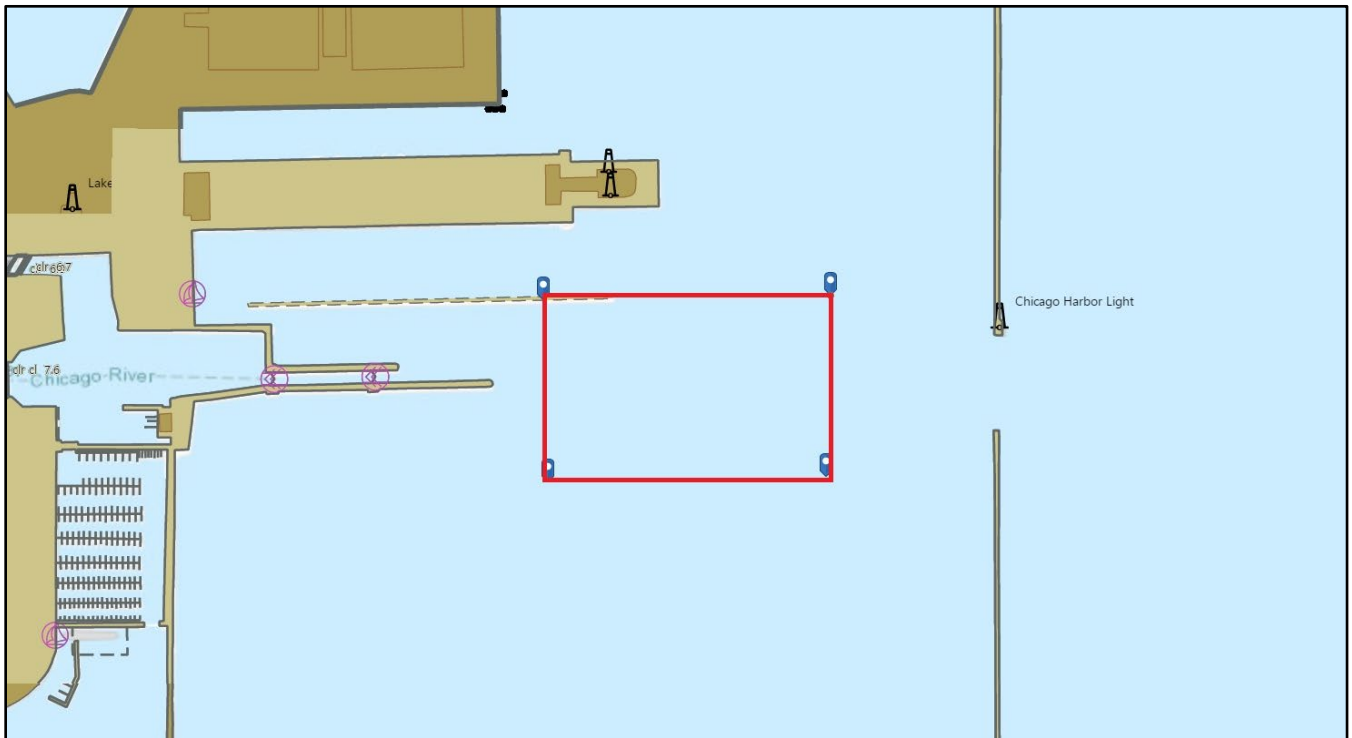


Diagram B



 Safety Zone Boundary